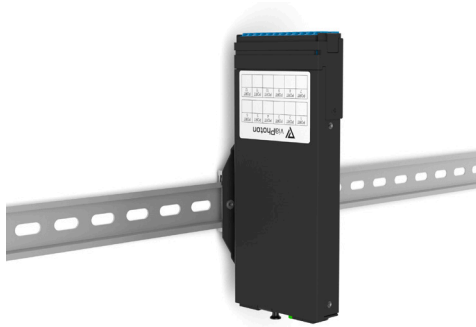
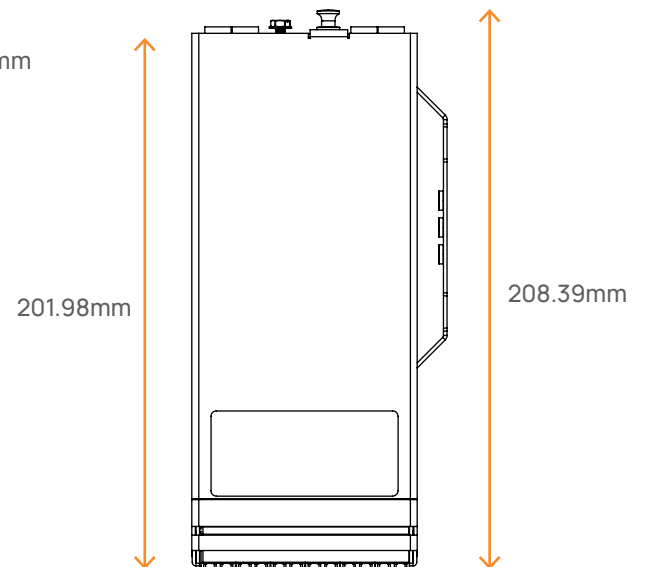
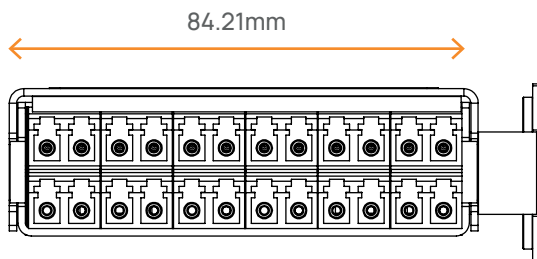
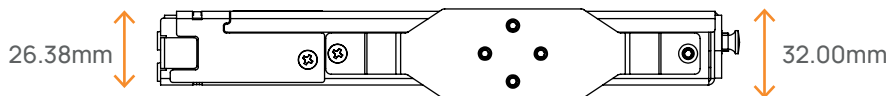


DIN Rail Mount Module



Features & Benefits

- Quick and easy installation
- Tool-free removable lid for easy on-site access
- DIN rail bracket offers 8 unique mounting positions
- Bonding screw on rear of module for grounding
- Inlet grommets allow for cable diameters up to 6.5 mm



©2022 viaPhoton, Inc. All rights reserved.

Specifications

Model Number	SDM-DM-xyyy-LC	SDM-DM-xyyy-SPL-LC	SDM-DM-xyyy-MFS-LC
			
Application	pre-terminated	splice	splice
Dimensions	8.2 in L x 4.2 in W x 1.0 in H		
Weight	5 lbs		
Mount Application	8 adjustable DIN rail mounting positions		
Grounding	bonding screw on rear panel		
Cable Inlet	2-6.5 mm (0.25 in) ID grommet		
Number of Fibers (xx)	6, 12, or 24 fibers		
Fiber Type (yy)	SM (single-mode) or (M4) multi-mode		
Connector	LC UPC	LC UPC	LC UPC
Fiber Splice Type	N/A	includes 900µm single fiber splice pigtail(s)	includes ribbonized mass fusion splice pigtail(s)
Routing	4 cable-tie mounts	2 - splice trays 4 - single splice holders	2 - splice trays 2 - ribbon splice holders
Operational Wavelength	N/A	SM: 1310/ 1550 nm M4: 850/ 1300 nm	
Insertion Loss	N/A	SM: 0.30 dB (max) / 0.10 dB (typ) M4: 0.30 dB (max) / 0.20 dB (typ)	
Return Loss	N/A	SM: 55 dB M4: 25 dB	
Operational Temperature	0 to +70°C (+32 to +158°F)		
Installation Temperature	0 to +60°C (+32 to +140°F)		
RoHS	2011/65/EU		